



**Control Tak**

Tel:021- 66479486

شرکت فنی مهندسی کنترل تک پیشرو در صنعت ابزار دقیق

**Cim 75/C150**

valve  
**cimberio**



This article was made in compliance with the quality management requirements of standard ISO 9001:2008. All articles are tested according to the standard EN 12266-1:2003.

It can be used in a wide variety of sectors and in any industrial or agricultural application where a regulation is required: heating, water, sanitary systems, pneumatic systems, saturated steam, oil, gasoline and other hydrocarbons and generally with any non corrosive liquid.

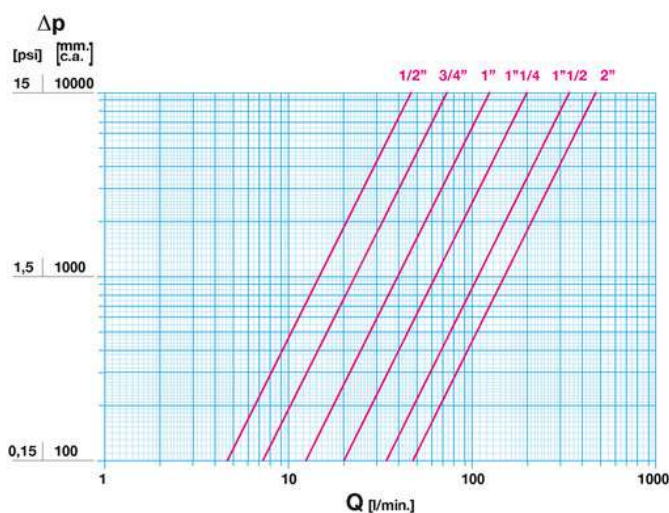
It is guaranteed for 5 years.

It is made of a brass alloy that complies with standard EN 1982-CC754S.

Nominal Pressure: PN 10

Operating temperature: -10 to 150°C

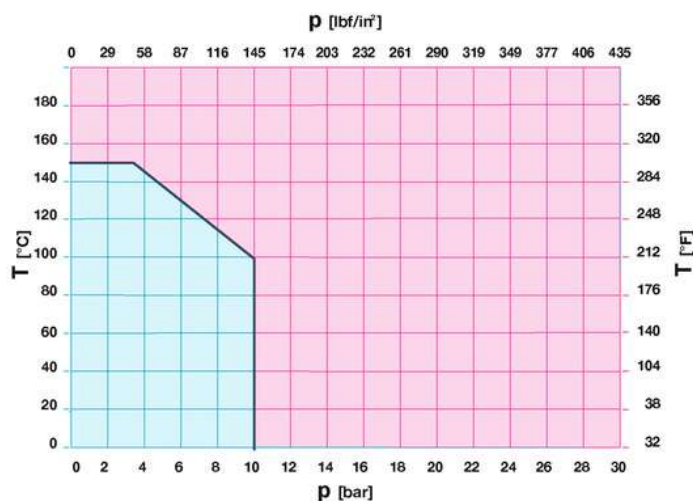
## FLOW AND PRESSURE DROP



Notes:  
1 l/min = 0,06 m<sup>3</sup>/h  
1 m<sup>3</sup>/h = 16,67 l/min  
1 bar = 10.000 mm w.c.  
1 psi = 690 mm w.c.

ca.v. uff.  
**GIACOMO CIMBERIO**  
s.p.a.

## PRESSURE TEMPERATURE RATINGS



Notes:  
1 bar = 14,5 psi  
1 bar = 14,5 lbf/in<sup>2</sup>  
°C = 5/9 x (°F-32)  
°F = 32 + (9/5 x °C)

شرکت فنی مهندسی کنترل تک فعال در زمینه ی فروش ، مشاوره فنی رایگان و آموزش ابزار دقیق

Controltak@Gmail.com

WWW.CONTROLTAK.COM

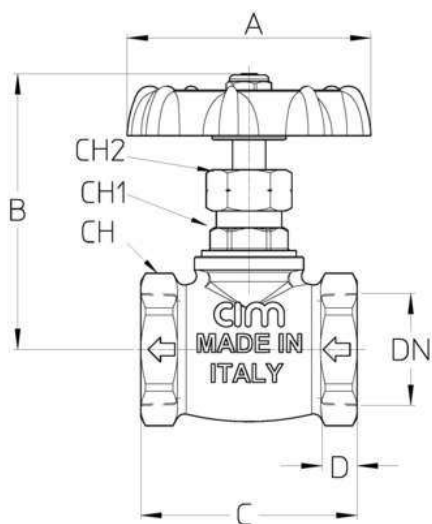
@ControlTak تلگرام

اینستاگرام Control-Tak

02166479486

09190345384

## TECHNICAL DRAWING



DN	1/2"	3/4"	1"	1 1/4"	1 1/2"	2"
Ø mm	12,5	14	19	24	32	37
<b>Grms.</b>	<b>211</b>	<b>273</b>	<b>437</b>	<b>665</b>	<b>956</b>	<b>1356</b>
A	55	60	65	80	80	90
B	65	67	82	92,5	113,5	133,5
C	47,5	52,5	62,5	72,5	80,5	93,5
D	7,5	8,5	9,5	12	12	15
CH	27	33	41	50	53	68
CH1	17	17	20	20	29	32
CH2	18	18	20	20	24	25

Thread:  
ISO 7/1 - Rc

## TECHNICAL CHARACTERISTICS

KV						
DN	1/2"	3/4"	1"	1 1/4"	1 1/2"	2"
Ø mm	12,5	14	19	24	32	37
KV	20,8	4,4	7,4	12	20,4	28,2

KV = Flow rate in m<sup>3</sup>/h with a pressure drop of 1 bar

شرکت فنی مهندسی کنترل تک فعال در زمینه ی فروش ، مشاوره فنی رایگان و آموزش ابزار دقیق

Controltak@Gmail.com

WWW.CONTROLTAK.COM

@ControlTak تلگرام

اینستاگرام Control-Tak

02166479486 09190345384